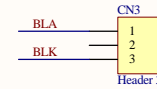
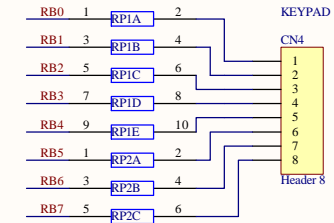
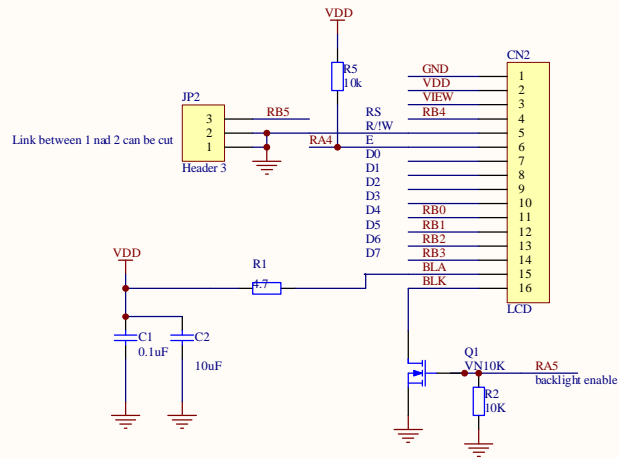


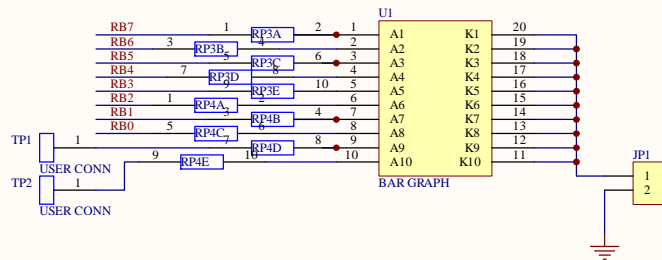
Either use pot or use R3 and R4



RP1 AND RP2 ALL 470 ohms



RP3 AND RP4 ALL 470 OHMS



Title Northmicro LCD/LED/Keypad Interface		
Size B	Number NM110	Revision
Date:	Sheet 1 of 1	
File:	Drawn By:	